

GR150



The most compact door-closer for all types of doors weighing up to 80kg.



Disability Compliance
<50N



Firewall Certification
EN 1634 Standard

GROOM PRODUCT ADVANTAGES

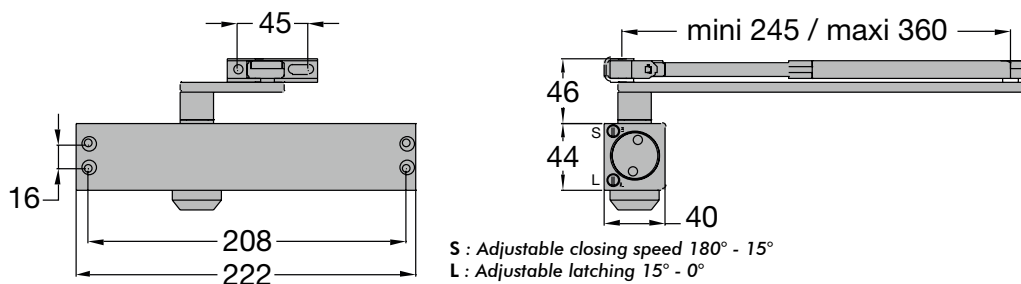
- Reduced size: Height: 44 mm, Thickness 40 mm
- C to C length of 16 mm that enables direct mounting on metallic profiles with no need for DIN metallic plates
- Latching and closing speed adjustable by grub screw
- Relief valve as a standard
- Opening range up to 180° on hinged side
- Invisible fixings hidden by its clipped cover
- Fitting on any type of support (wood, aluminum, PVC)
- Sustainable and continuous adjustments thanks to its thermostable technology
- Optional multiple fittings

5 YEARS WARRANTY



TECHNICAL CHARACTERISTICS	GRISO
Closing force	EN 2/3/4
Maximum dimension of the door	1100 mm
Tested to EN 1154	YES
CE mark for construction products	YES
Disability Compliance < 50 N	YES
Fire door, anti-flame and smoke check doors	YES
Adjustable closing speed by grub screw 180° - 15°	YES
Latching adjustable by grub screw 15° - 0°	YES
Adjustable backcheck by grub screw 70° - 180°	NO
Adjustable delayed closing by grub screw 105° - 70°	NON
Scissor arm	YES
Slide arm	OPTION
Hold-open arm module (prohibited on fire doors)	OPTION
Cushioned limit stay	OPTION
Standard colors: silver, white, black	YES
RAL colors	OPTION
High Quality finishes	NO

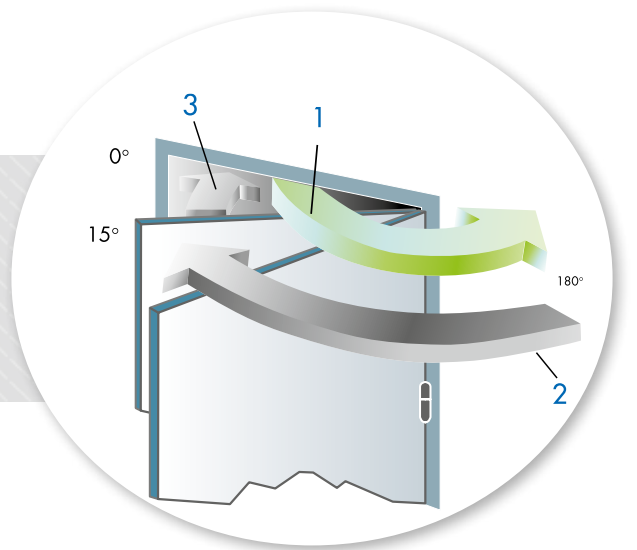
> DOOR-CLOSER DESIGN



ALL ACCESSORIES ARE AVAILABLE ON PAGES 44/45

> FUNCTIONS

- Zone 1: Regular Opening of the door up to 180°
- Zone 2: Adjustable closing speed 180° - 15°
- Zone 3: Adjustable latching 15° - 0°



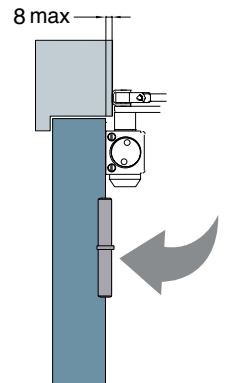
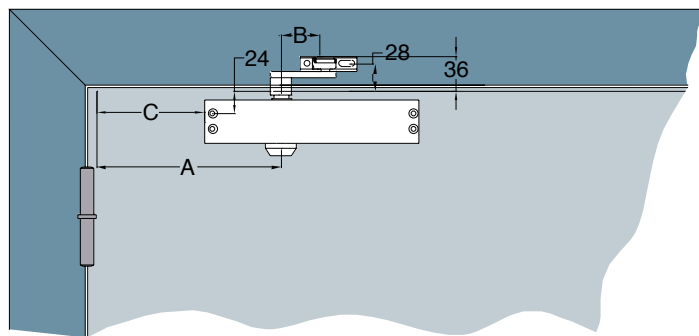
Adjusting the closing force

Door width	Adjustable force
= 850	EN 2
= 950	EN 3
= 1100	EN 4

The closing force is obtained by moving the body on the door and/or inverting the arm bracket.

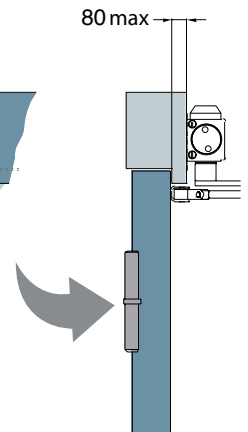
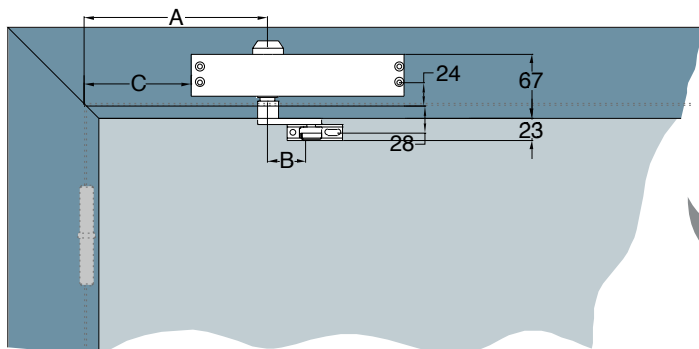
> INSTALLATION

Fitted on pull side body on door



FORCES			
	EN 2	EN 3	EN 4
A	140,5	190	190
B	91	57	41
C	62	112	112

Fitted on push side body on frame



> DESCRIPTION

GROOM door closer GR150, with symmetrical rack and pinion technology and scissor arm, compliance with EN 1154, CE mark, disability compliance < 50 N.

- Force EN 2, 3 and 4 for doors up to 1100 mm width and / or 80 kg with an opening angle up to 180°.
- Closing speed and latching adjustments by grub screw.
- Reduced body size and 16 mm mounting distance for metal profile mounting without DIN mounting plate.
- Invisible body fixings hidden by its clipped cover.
- Pull or push side installation. Reversible, non-handed.
- Thermostable hydraulic from -20° to +40°, equipped with pressure relief valves.
- Silver, white, black, RAL finishes.
- Accessories: support plates, hold-open arm module, cushioned limit stay.

REFERENCES	GR150
COMPLETE DOOR CLOSER	
15011X	GR150 SCISSOR ARM
BODY ONLY	
15001X	GR150 BODY ONLY
15501X	GR150 REVERSE BODY ONLY
SCISSOR ARM	
10010X	SCISSOR ARM 150/200/300
20040X	SCISSOR ARM 150 WITH ADJUSTBLE HOLD-OPEN
SLIDE ARM	
GR10050X	SLIDE ARM 150/200/300 WITHOUT HOLD-OPEN
GR10060X	BRAS ANTI-VANDALISME 150/200/300 WITH HOLD OPEN
ACCESSORIES	
15950X	GR150 DIN SUPPORT PLATE
15960X	GR150 RIGHT SUPPORT PLATE
15940X	GR150 NARROW SUPPORT PLATE FITTING ON WOODEN DOOR
15930X	ANGLED GR150 SUPPORT PLATE
57010X	ARM BRACKET SUPPORT PLATE
57020X	ANGLED ARM BRACKET SUPPORT PLATE

Code X = Finish Code

0 = RAL 9016 white

1 = silver

5 = RAL 9005 black

8 = other RAL (option)