

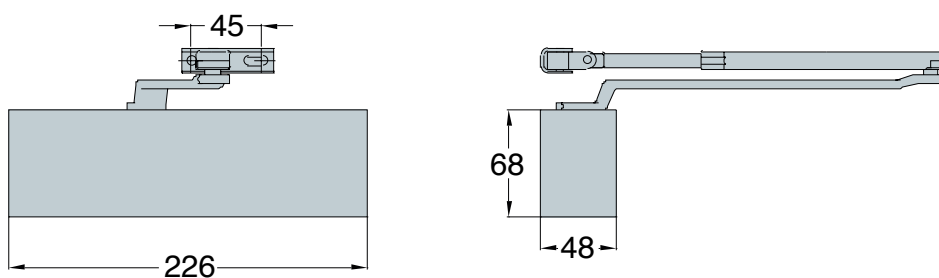
GR105



The cheapest **CE** marked solution

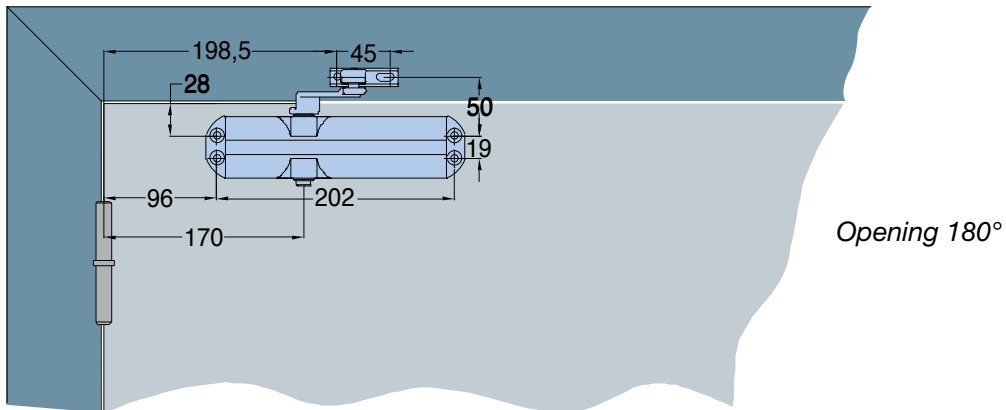
TECHNICAL CHARACTERISTICS	GR105
Adjustable closing force	EN 2/4
Maximum dimension of the door	< 1100 mm
Tested to EN 1154	YES
CE mark for construction products	YES
Fire door, anti-flame and smoke check doors	YES
Adjustable closing speed 180° - 20°	YES
Adjustable latching 20° - 0°	YES
Adjustable backcheck 70° - 180°	NO
Adjustable delayed closing 105° - 70°	NO
Scissor arm	YES
Slide arm	NO
Hold-open arm module (prohibited on fire doors)	NO
Standard color: silver	YES
RAL colors	NO
High Quality finishes	NO

> DOOR-CLOSER DESIGN

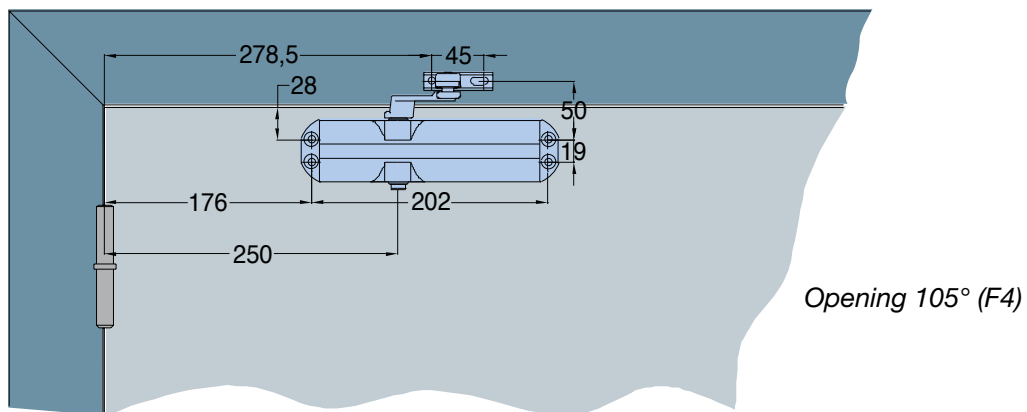


> **FIXING**

Fitted on pull side body on door EN 2/3



Fitted on pull side body on door FORCE EN 4



REFERENCES

GR105

COMPLETE DOOR CLOSER

GR105111

GR105-2/4 SCISSOR ARM SILVER