

CLASSIQUE

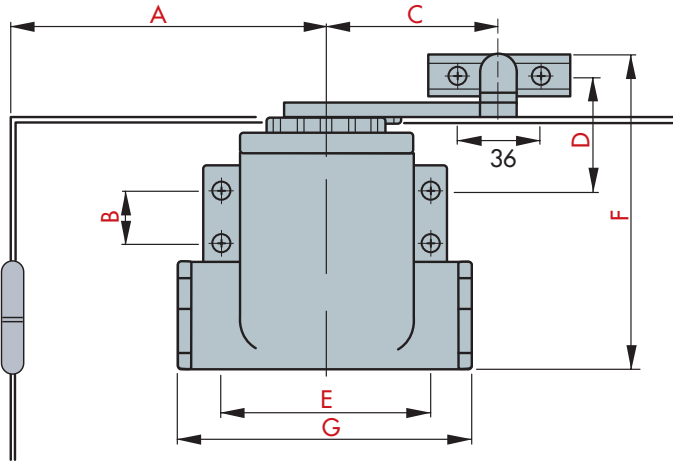


Tradition and performance

TECHNICAL CHARACTERISTICS	CLASSIQUE
Closing force	3 à 6 depending on model
Maximum dimension of the door	< 1400 mm depending on model
Maximum weight of the door	< 120 kg depending on model
Adjustable closing speed by grub screw 180° - 15°	YES
Adjustable latching 15° - 0° from the arm	YES
Adjustable backcheck by grub screw 70° - 180°	NO
Adjustable delayed closing by grub screw 105° - 70°	NO
Scissor arm	YES
Series 9 - Slide arm	OPTION
Standard color: dark neige	YES
RAL colors	NO
High Quality finishes	NO

CLASSIQUE

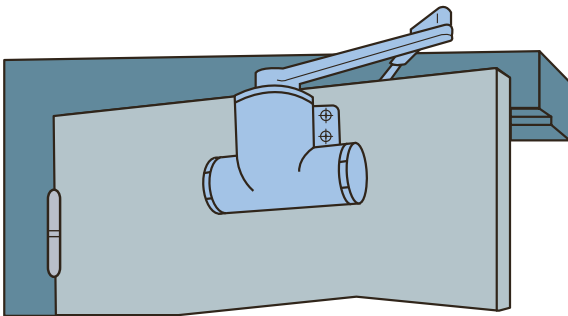
> DOOR-CLOSER DESING



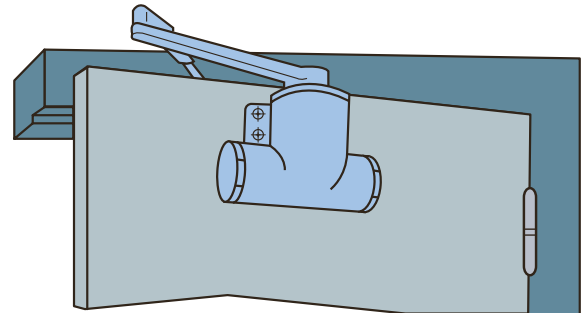
Device No.	3	4	5	6
A for opening at 90°	240	260	310	350
A for opening at more than 90°	180	200	230	290
B	29	33	35	40
C	80	80	80	80
D	48	48	60	72
E	85	96	107	120
F	145	160	185	215
G	135	145	170	194
Number of adjustment holes	Average value 5 to 7 holes			

> STANDARD FITTING CASE

Door and door closer on right

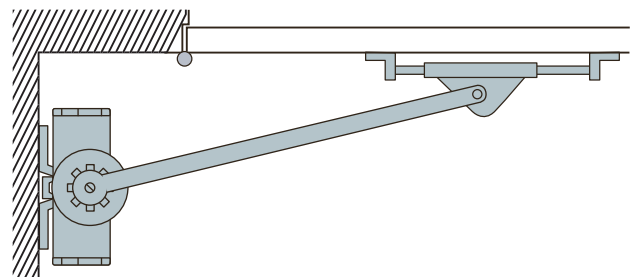
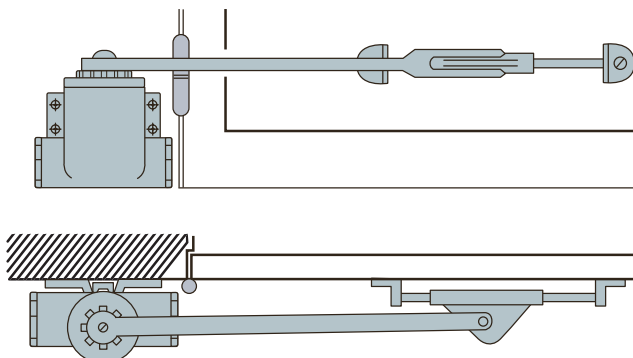


Door and door closer on left



> SERIES 9 FITTING CASE

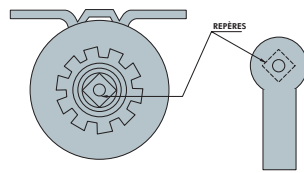
Door closer is fitted in a pulling configuration, on the side behind the hinges, either at the bottom or at the top at any height on the door, preferably opposite a horizontal cross bar. Depending on the profile of the door, the arm is straight. It is important to use a device with a higher number compared to the one which could be used for normal fitting.



> ADJUSTMENTS

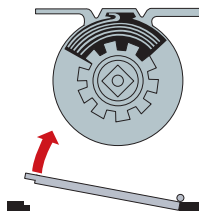
Spring on right

A door is said to be on right when it opens to the right upon pushing the door.

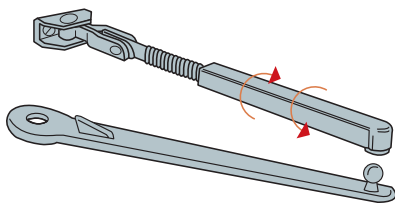
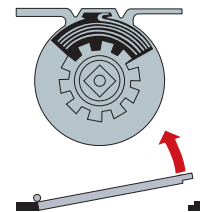


Spring on left

A door is said to be on left when it opens to the left upon pushing the door.

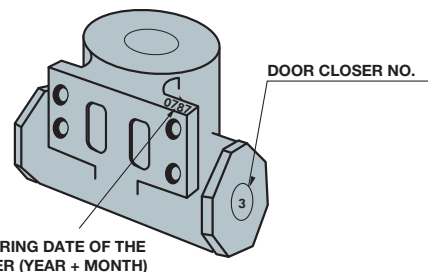


Regardless of the direction of the spring, the arm always retains the same position on the shaft of the door closer: the 2 marks must face each other.



Adjusting the final acceleration angle

Spring is tensioned using the winding key supplied.



REFERENCES

CLASSIQUE

COMPLETE DOOR CLOSER

703112	CLASSIQUE 3 STANDARD DARK BEIGE ADJUSTABLE ARM
704112	CLASSIQUE 4 STANDARD DARK BEIGE ADJUSTABLE ARM
705112	CLASSIQUE 5 STANDARD DARK BEIGE ADJUSTABLE ARM
706112	CLASSIQUE 6 STANDARD DARK BEIGE ADJUSTABLE ARM

COMPLETE DOOR CLOSER SERIES 9

703Y12	CLASSIQUE 3 SERIES 9 DARK BEIGE
704Y12	CLASSIQUE 4 SERIES 9 DARK BEIGE
705Y12	CLASSIQUE 5 SERIES 9 DARK BEIGE
706Y12	CLASSIQUE 6 SERIES 9 DARK BEIGE

ACCESSORIES

703900	SPRING CLASSIQUE 3 WITH WINDING KEY
704900	SPRING CLASSIQUE 4 WITH WINDING KEY
705900	SPRING CLASSIQUE 5 WITH WINDING KEY
706900	SPRING CLASSIQUE 6 WITH WINDING KEY

Y = Direction code

0 = Right direction

5 = Left direction